

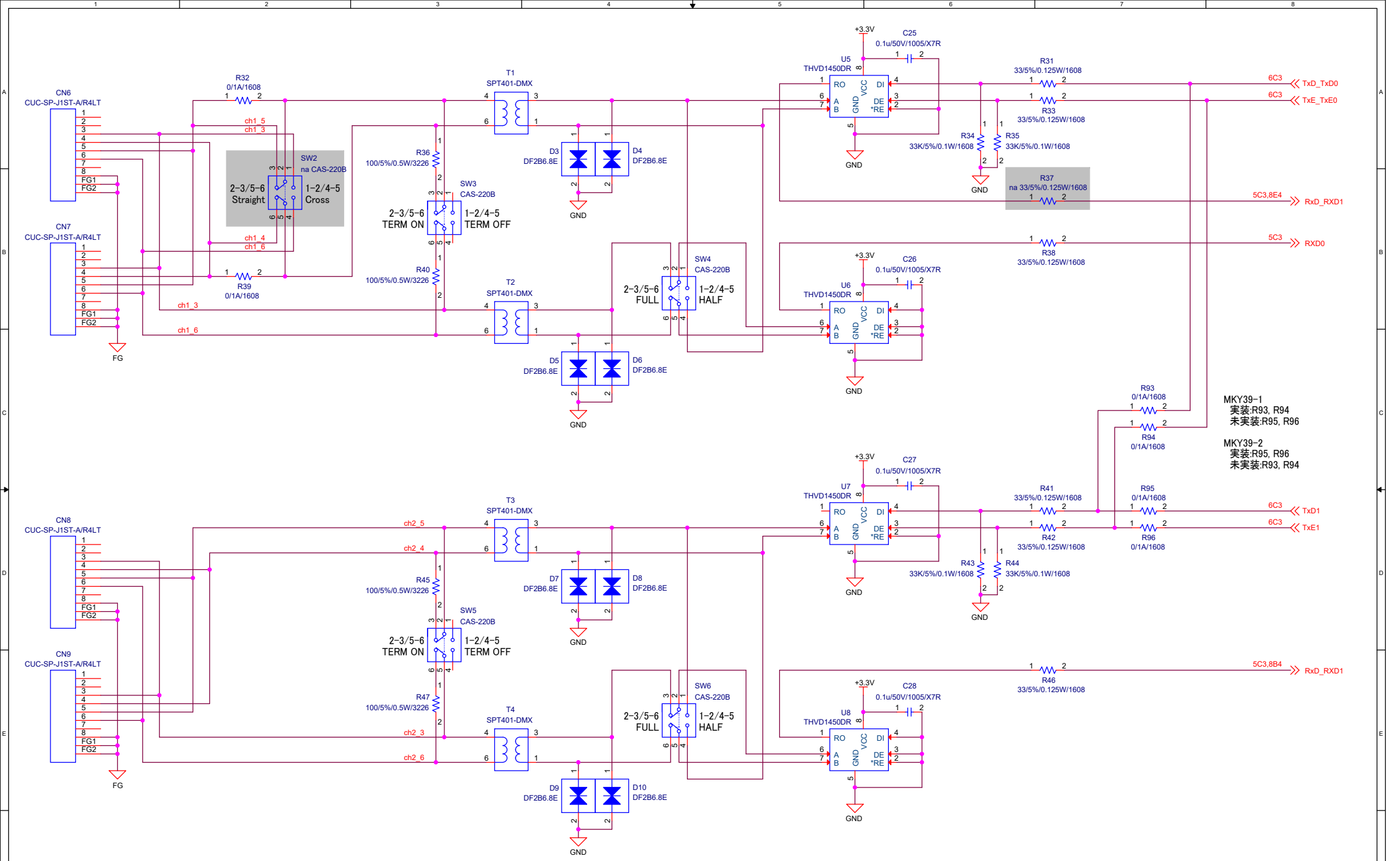
(TP1,TP2は基板の対角に1個ずつ配置する)

Confidential

STEPTECHNICA

Sheet 2 / 6

Design	Miyamoto	DRAW No.	P10797-200
Checked	Nakal	DRAW Name	IB-39 Circuit Diagram
Approved	Maeda	Date	Monday, March 24, 2025
Sym	Revision	ECO.No.	Date
			Revised
			Approved



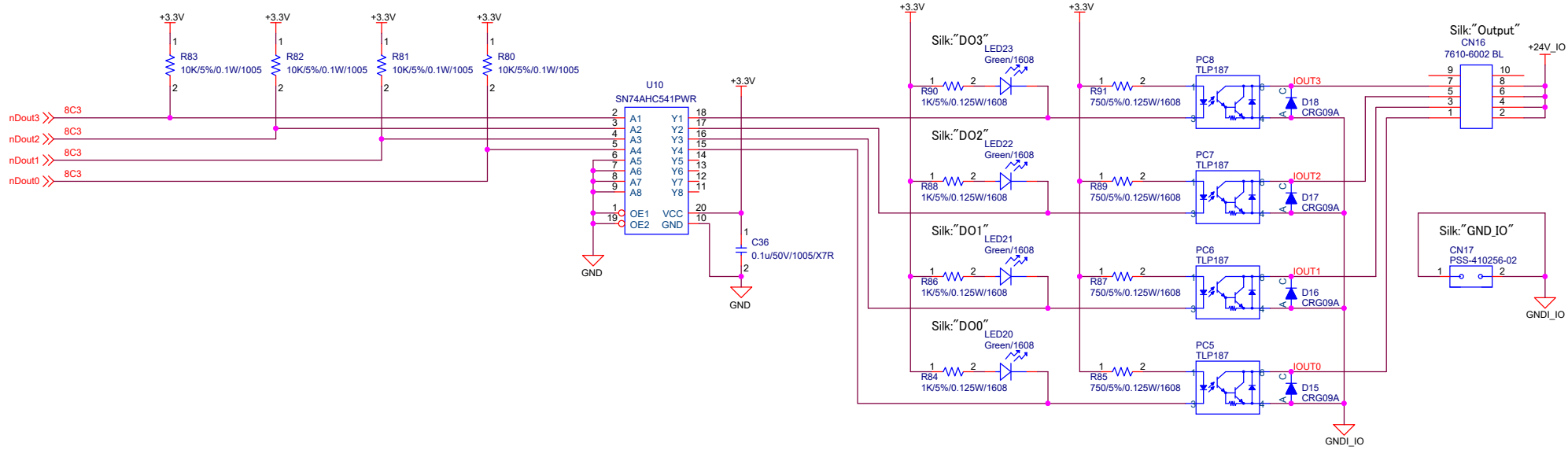
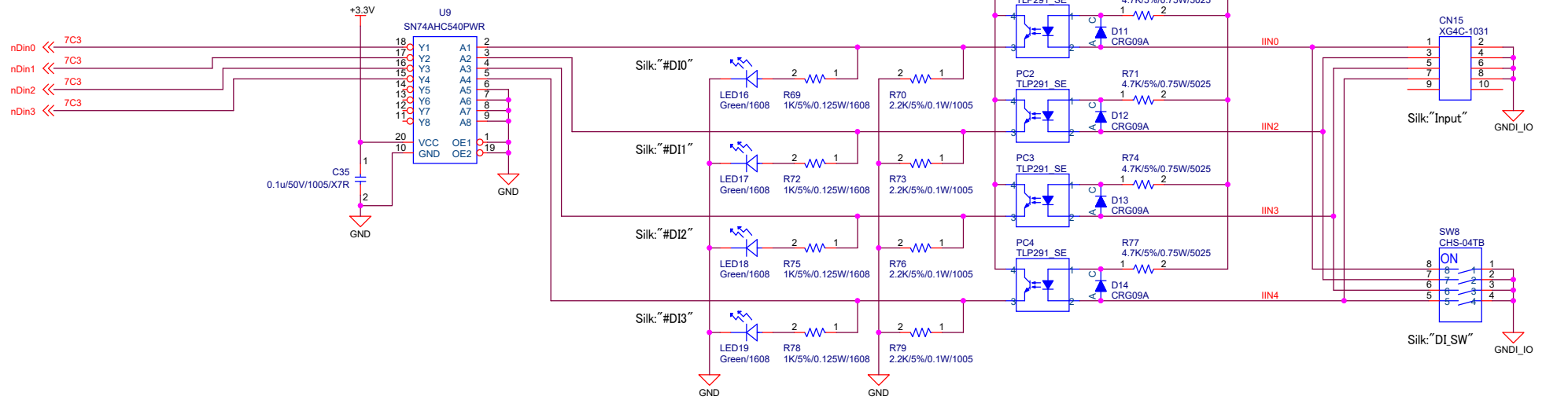
MKY39-1
 実装:R93, R94
 未実装:R95, R96

MKY39-2
 実装:R95, R96
 未実装:R93, R94

Confidential



Design	Miyamoto	DRAW No.	P10797-200
Checked	Nakal	DRAW Name	IB-39 Circuit Diagram
Approved	Maeda	Date	Monday, March 24, 2025
Sym	Revision	ECO.No.	Date
			Revised
			Approved
			A3



Confidential



Design	Miyamoto	DRAW No.	P10797-200
Checked	Nakal	DRAW Name	IB-39 Circuit Diagram
Approved	Maeda	Date	Monday, March 24, 2025
Sym	Revision	ECO.No.	Date
			Revised
			Approved
			Approved
			Approved