

---

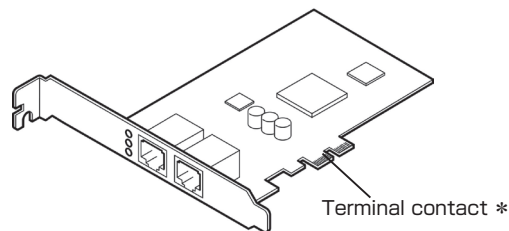
~ Read Me First ~  
**CUB-43PCIEXP Setup Guide**

---

■ Please check the bundled items.

Make sure that there is an accessory attached with the product.

- Interface board (with Low profile bracket) . . . 1 pc  
CUB-43PCIEXP



\* Do not touch the terminal contacts with your hands. It may cause the malfunction.

■ How to download the device driver and CUeditor43J\_PCI

Download the device driver and CUeditor43J\_PCI from StepTechnica website.

URL : <https://www.steptecnica.com/en/download/index.html>

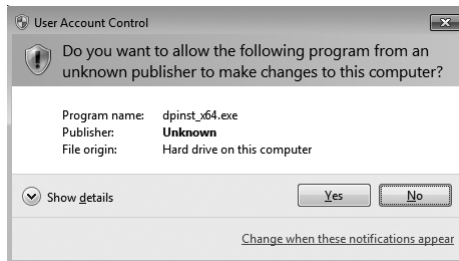
# 1. Driver installation

- Driver can be manually installed from downloaded driver file.  
The configuration of downloaded driver file is shown in the table below.

OS		Driver installer storage location
Windows 7/ 8/ 8.1	64-bit version	Driver_V3000\Win7_Win8.1\x64\dpinst_x64.exe
Windows 7/ 8/ 8.1	32-bit version	Driver_V3000\Win7_Win8.1\x86\dpinst_x86.exe
Windows 10	64-bit version	Driver_V3000\Win10\x64\dpinst_x64.exe
Windows 10	32-bit version	Driver_V3000\Win10\x86\dpinst_x86.exe

Select the driver installer to execute according to your PC system environment.  
This document describes how to install driver to 64-bit version of Windows 10.

- ①. Power-on PC, start Windows, and log on as an Administrator.
- ②. Execute "dpinst\_x64" in "Driver\_V3000 \ Win10 \ x64". Select 'Yes (Y)' in the user account control dialog box.



- ③. Select 'Next (N)' in the driver installation dialog box.



- ④. Select 'Finish' in the next dialog box.



## 2. Hardware installation

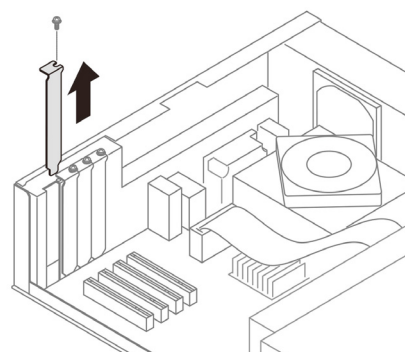
---

■ For how to put-on or remove a PC side panel and insert a PCI card to the PC slot, refer to your PC manual.

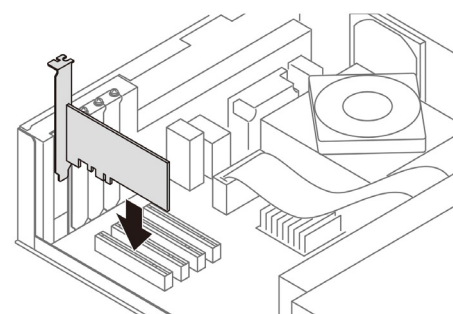
①. Power-off the PC.

②. Remove the PC side panel.  
(Refer to the PC manual for how to remove the side panel.)

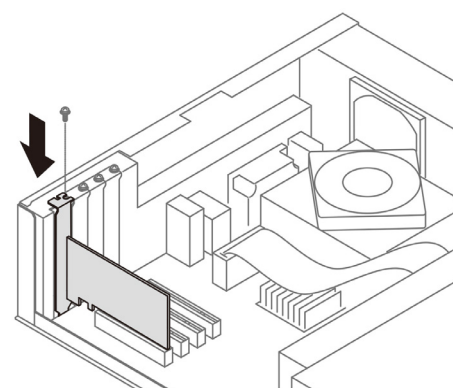
③. The board is to be inserted to PCI Express slot, so remove the cover of the slot to insert.  
(Refer to the PC manual for how to remove the slot cover.)



④. Insert the board to PCI Express slot firmly.  
(Change to the low-profile bracket when the board is inserted to the PC which has the low-profile slot.)



⑤. Fix the bracket using the screw attached with the PC.



⑥. Close the PC side panel in the reverse order of step 2.

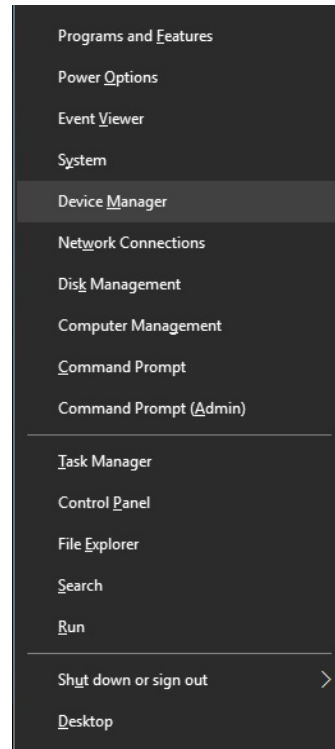
### 3. Check that the PCI card is correctly installed

---

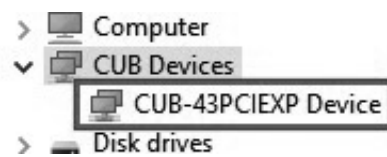
Open 'Device Manager' first to check the card has been correctly installed.

#### For Windows 10

- ① . Press 'Windows' and 'X' key to display 'Device Manager(M)' and click it.



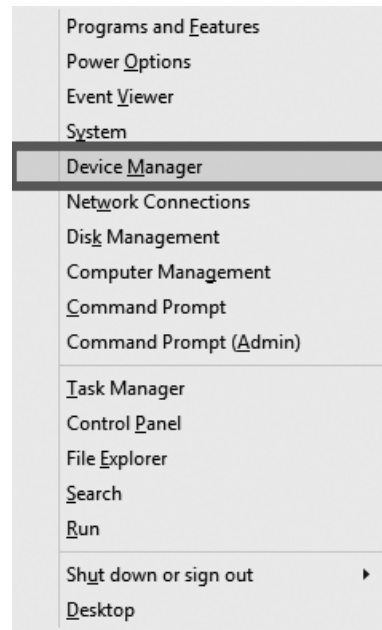
- ② . Device Manager is displayed. Select and double-click 'CUB Devices' to show the devices listed in the context menu and check 'CUB-43PCIEXP Device' is in the list.



---

## For Windows 8 / 8.1

- ①. Press 'Windows' and 'X' key to display 'Device Manager(M)' and click it.



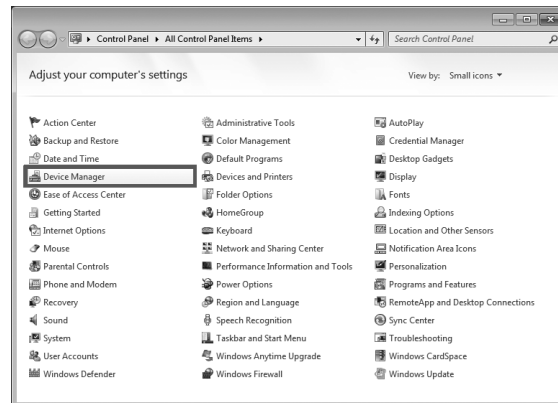
- ②. Device Manager is displayed. Select and double-click 'CUB Devices' to show the devices listed in the context menu and check 'CUB-43PCIEXP Device' is in the list.



---

## For Windows 7

- ① . Open 'Device Manager' from the 'control panel'.



- ② . Device Manager is displayed.  
Select and double-click 'CUB Devices' to show the devices listed in the context menu and check 'CUB-43PCIEXP Device' is in the list.



## 5. How to install CUeditor43J\_PCI editor software

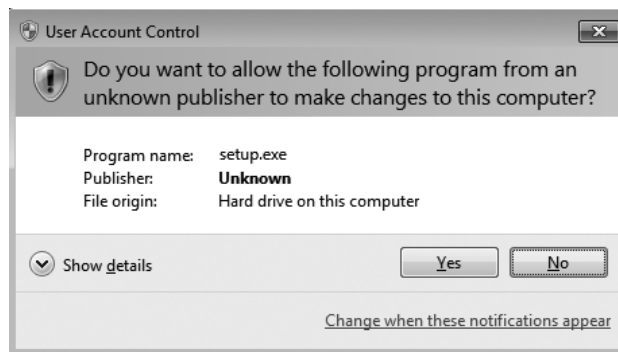
---

■ Driver can be manually installed from downloaded CUeditor43J\_PCI folder.

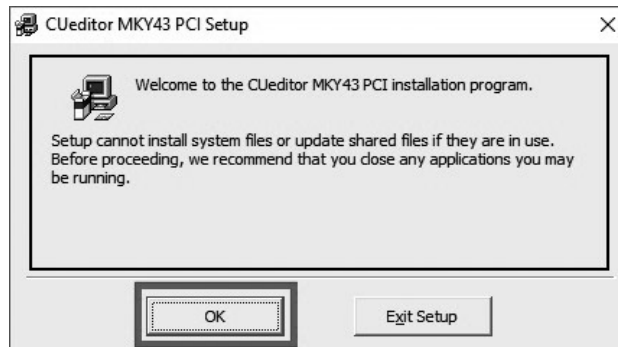
- ①. Execute 'CuEditor43J\_PCI \ setup.exe' in 'Setup disk'.



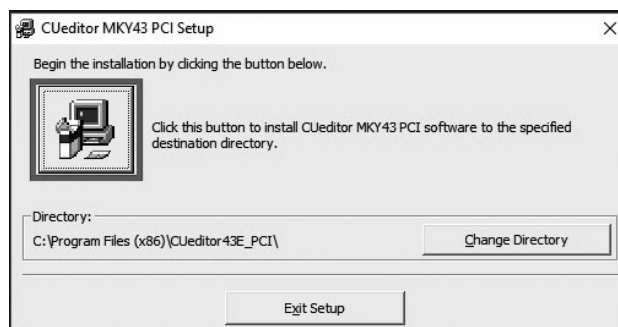
- ②. Select 'Yes' in the user account control dialog box.



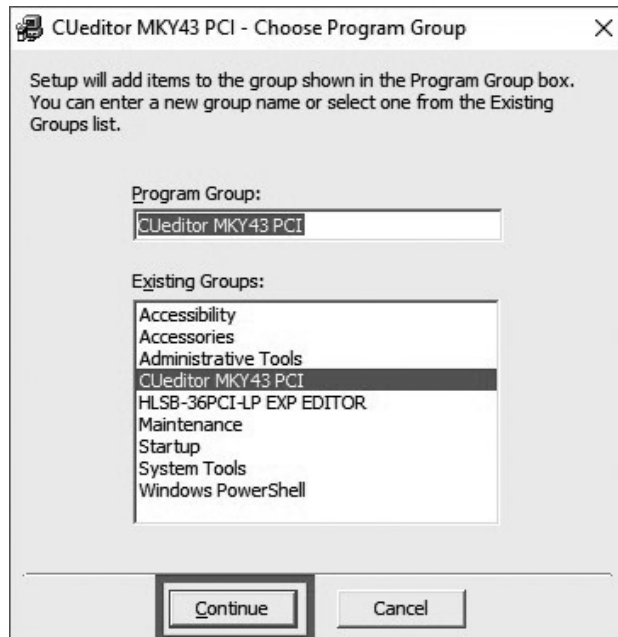
- ③. Select 'OK' in 'CUeditor43J\_PCI setup' dialog box to continue.



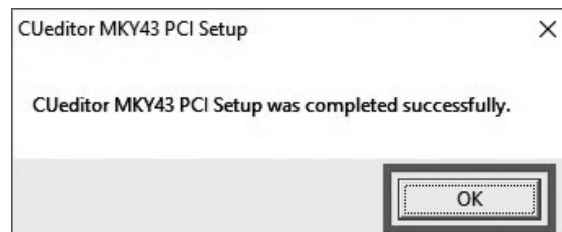
- ④. Specify the install location of CUeditor43J\_PCI.  
Click 'Change Directory' to change the install location.  
Click thick-squared button to start installation.



- 
- ⑤. Click 'Continue' in 'CUeditor MKY43 PCI - Choose Program Group' dialog box to continue.



- ⑥. Click 'OK' button when the setup dialog box is displayed to finish the driver installation.





## Product Specifications

Item	Description
CUnet device	MKY43 × 1 pc
CUnet communication method	Half-duplex
CUnet communication rate	12M/6M/3Mbps (Set in MKY43 register)
CUnet communication connector	RJ45 type (8pin modular) × 2 pcs
Supported bus	PCI Express × 1 Gen 1 supported expansion bus
Owned resource	16KB serial memory area (Automatically allocated by PnP)
Interrupt	1 line used (Automatically allocated by PnP)
Supported OS	Windows10 (64bit/32bit) Windows8.1 (64bit/32bit) Windows8 (64bit/32bit) Windows7 (64bit/32bit)
Power supply	DC +3.3V
Consumption current	500mA or lower
Operating conditions	Temperature 0 to 50°C Humidity 20 to 90% (With no condensation)
Storage conditions	Temperature 0 to 80°C Humidity 0 to 90% (With no condensation)
Size	119.9mm(W) × 68.9mm(H) ※ Not including a panel (Low Profile supported)
Accessory	Low profile bracket

## Safety Precautions



### Warnings / Cautions

The information in this document is subject to change without prior notice.

Before using this product, please confirm that this is the latest version of this document. (Visit our website to check the latest version.)

Technical information in this document, such as explanations and circuit examples, are just for references to use this product in a proper way.

When actually using this product, always fully evaluate the entire system according to the design purpose based on considerations of peripheral circuits and environment.

We assume no responsibility for any incompatibility between this product and your system.

We assume no responsibility whatsoever for any losses or damages arising from the use of the information, products, and circuits in this document, or for infringement of patents and any other rights of a third party.

When using this product and the information and circuits in this document, we do not guarantee the right to use any property rights, intellectual property rights, and any other rights of a third party.

This product is not designed for use in critical applications, such as life support systems.

Contact us when considering such applications.

No part of this document may be copied or reproduced in any form or by any means without prior written permission from StepTechnica Co., Ltd.

## Contact

Visit our website or e-mail to StepTechnica's engineer.

### Website

<https://www.steptechnica.com/en/contact/index.html>

### E-mail to engineer

E-mail : [info@steptechnica.com](mailto:info@steptechnica.com)  
Office hour 9:00am to 5:30pm (Weekdays)

Manufactured by : StepTechnica Co., Ltd.

Issued : April 2019

Document No : STD\_CUB43PCIEXPSU\_V3.0E